

# INSTALLATION INSTRUCTIONS

## CRL PREMIUM FRENCH SECURITY SCREEN DOORS



---

Phone: (800) 421-6144 • Fax: (866) 921-0531  
[crlaurence.com](http://crlaurence.com) • [usalum.com](http://usalum.com) • [crl-arch.com](http://crl-arch.com)

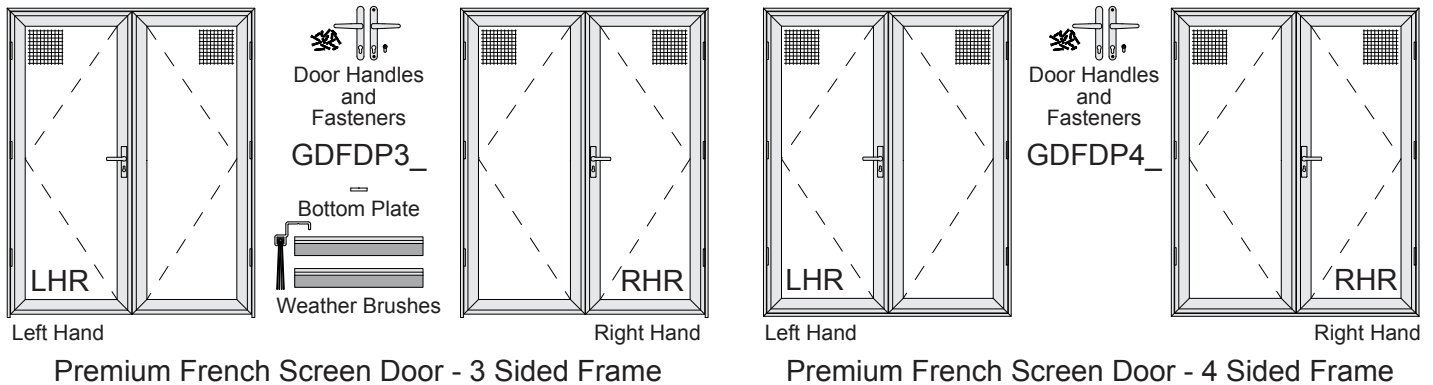
---

# MODEL IDENTIFICATION

All CRL Premium French Security Screen Doors are fabricated specifically for each order and shipped fully assembled. The frame is attached to the jamb of the existing door.

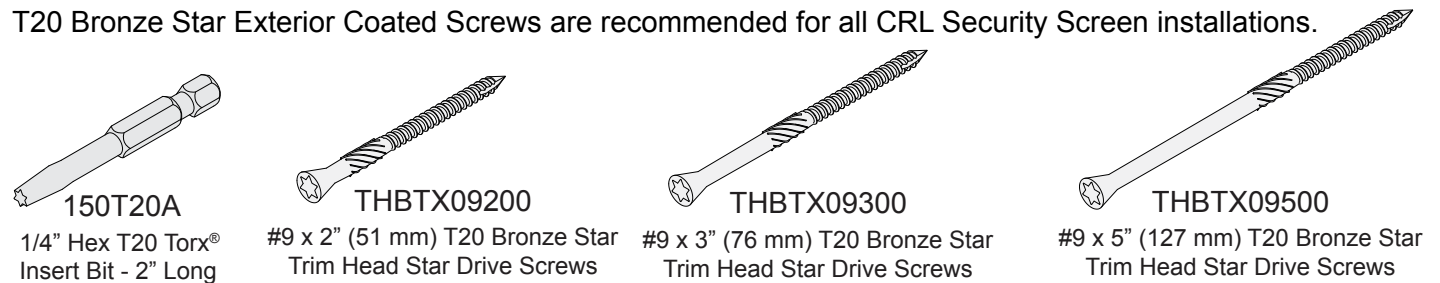
The mounting option, inside or surface mount, along with either a 3 or 4 sided frame configuration is determined at time of initial order.

The frame is installed with the door inside. This manual includes instructions for both inside mount and surface mount with 3 and 4 sided frames. Carefully follow the procedures specific to your installation.



# RECOMMENDED FASTENERS

T20 Bronze Star Exterior Coated Screws are recommended for all CRL Security Screen installations.



**NOTE: Cat. No. 745S\_\_** Retractable Screen Door Sill Adaptors are available for use with 3 sided frames. Install before proceeding with frame installation.

**IMPORTANT: READ THIS MANUAL THOROUGHLY BEFORE BEGINNING INSTALLATION**

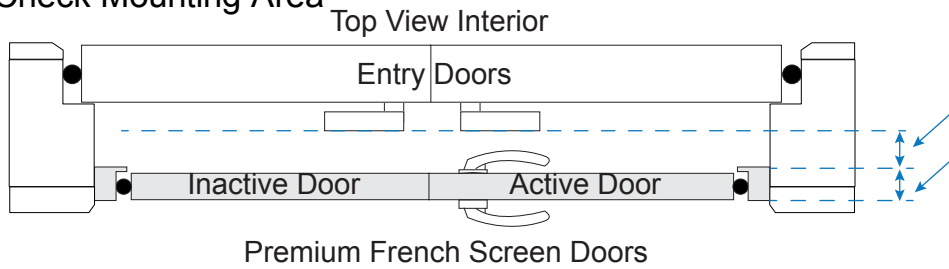
# ORDER OF ASSEMBLY AND INSTALLATION

Model Identification .....	2
Recommended Fasteners .....	2
Preparation .....	3
Check Mounting Area .....	3
Determine Mounting Option .....	3
Dry Fit Frame with Door .....	3
Frame Installation .....	4
Door Handle Installation .....	5
Bottom Plate Installation for 3 Sided Frames .....	6
Trim Installation .....	7

**NOTE:** Model GDFDP3\_ Premium French Screen Door with 3 Sided Frame Surface Mount installation shown in this manual.

# PREPARATION

## Check Mounting Area

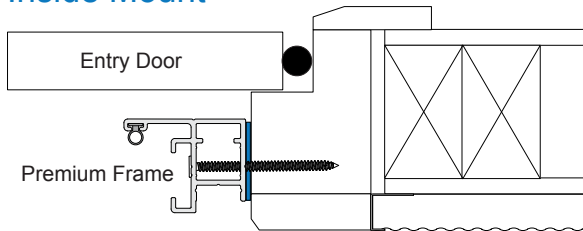


Allow 2-5/8" (67 mm) minimum space between entry door handle and mounting area to avoid hardware interference.

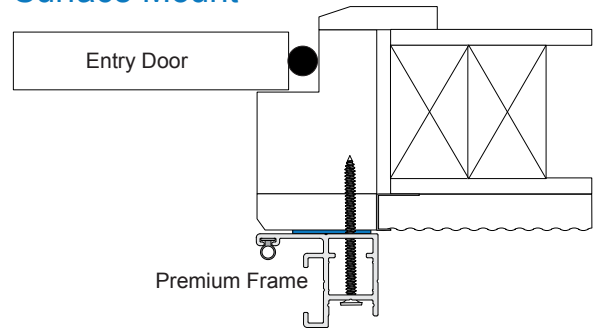
Allow 1" (25 mm) minimum space for mounting area.

## Determine Mounting Option

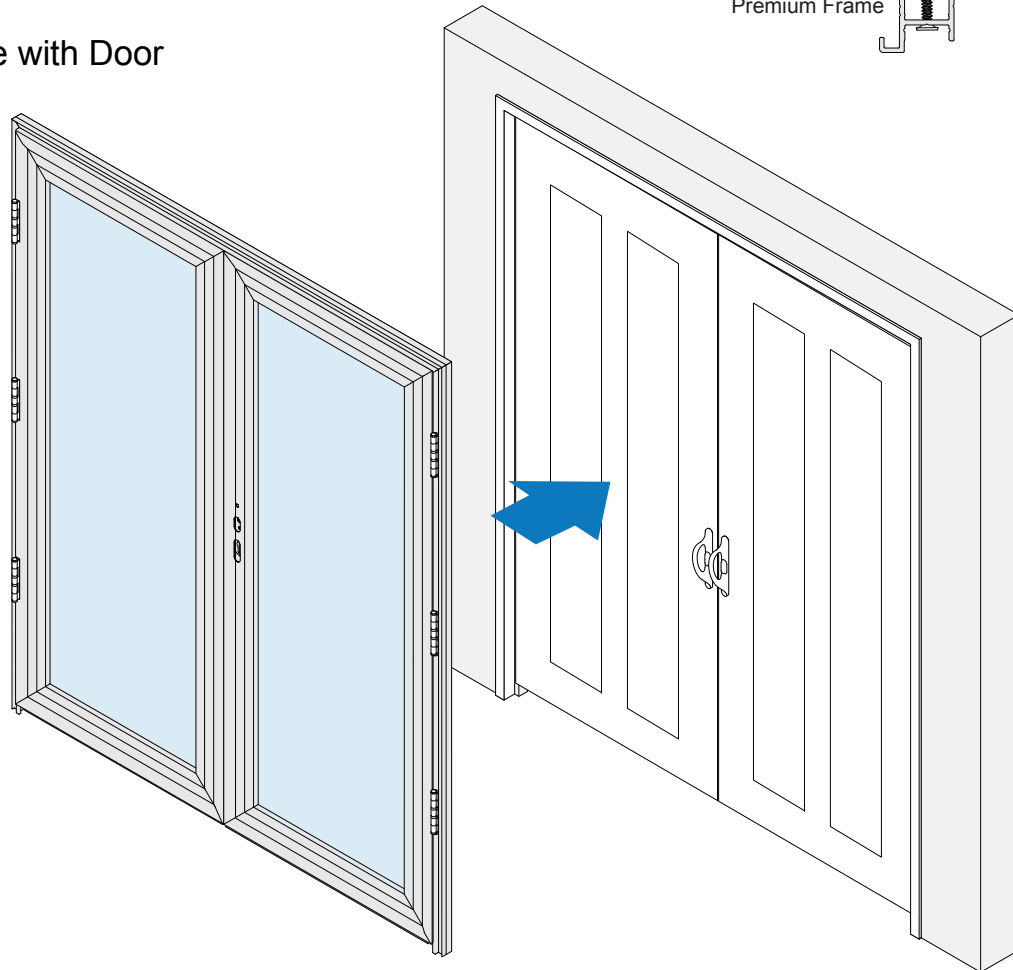
### Inside Mount



### Surface Mount



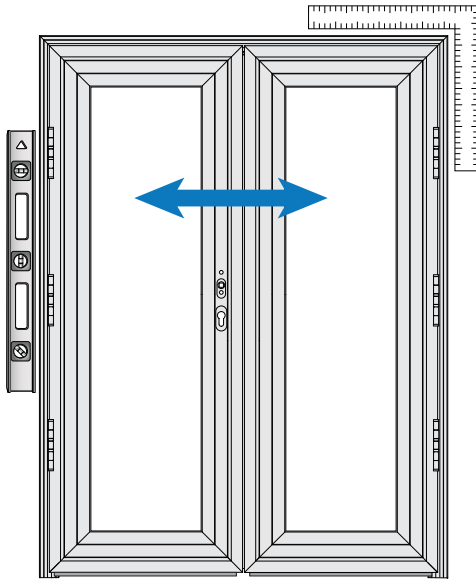
## Dry Fit Frame with Door



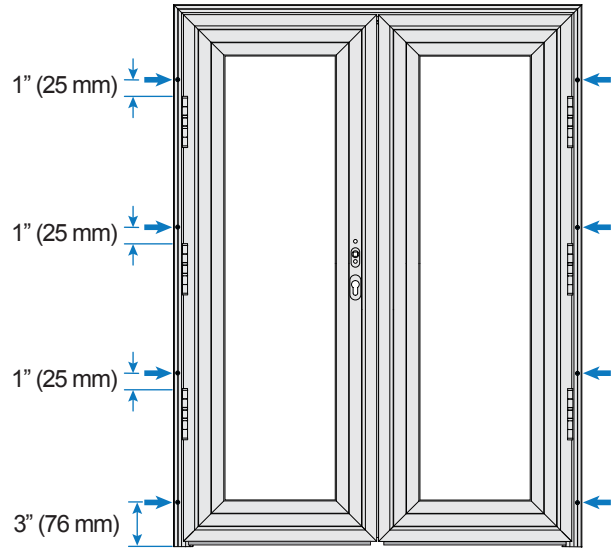
NOTE: For 3 sided frames, install weather brush on bottom of each Screen Door before installation.

# FRAME INSTALLATION

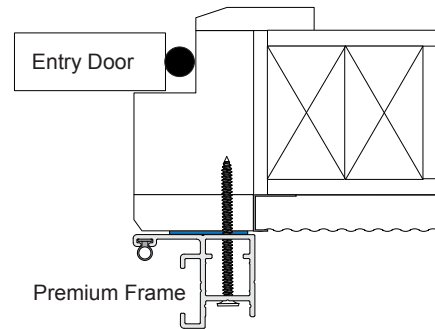
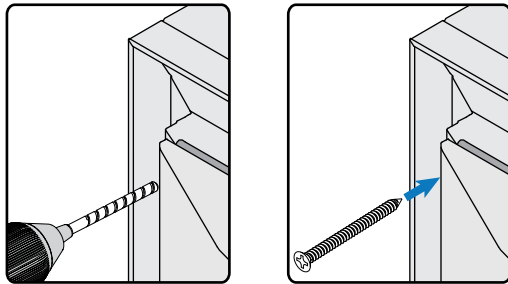
- ① Center frame with screen doors over opening. Square and plumb.



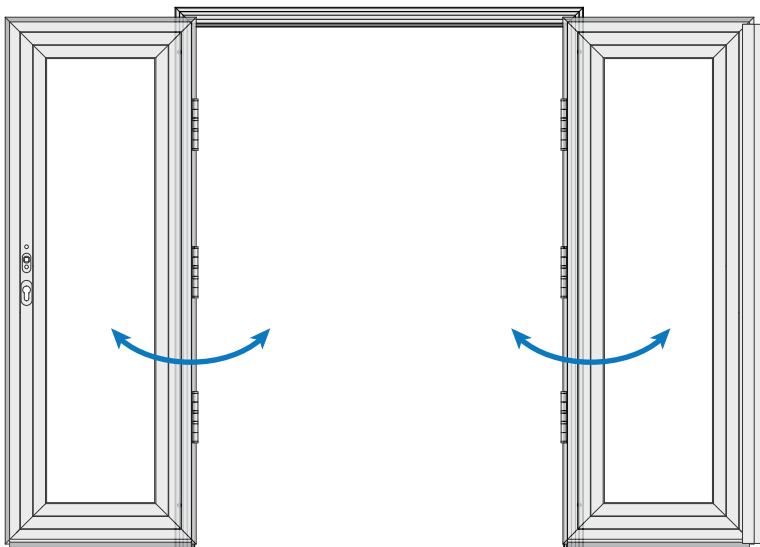
- ② Drill pilot holes and insert screws 1" (25 mm) above each set of hinges and 3" (76 mm) from bottom.



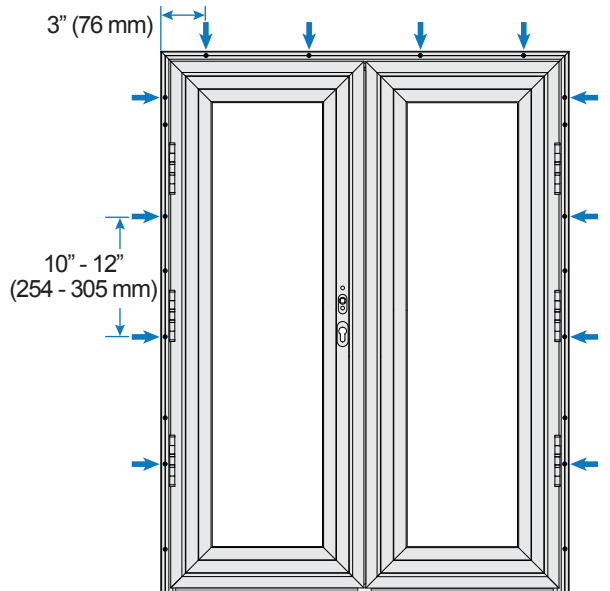
- ③ Drill pilot hole and insert screw to secure frame.



- ④ Check door operation.



- ⑤ Space remaining screws 3" (76 mm) from corners and 10" to 12" (254 to 305 mm) apart.



# DOOR HANDLE INSTALLATION

- 1 Install Interior and Exterior Handles and secure with included screws.

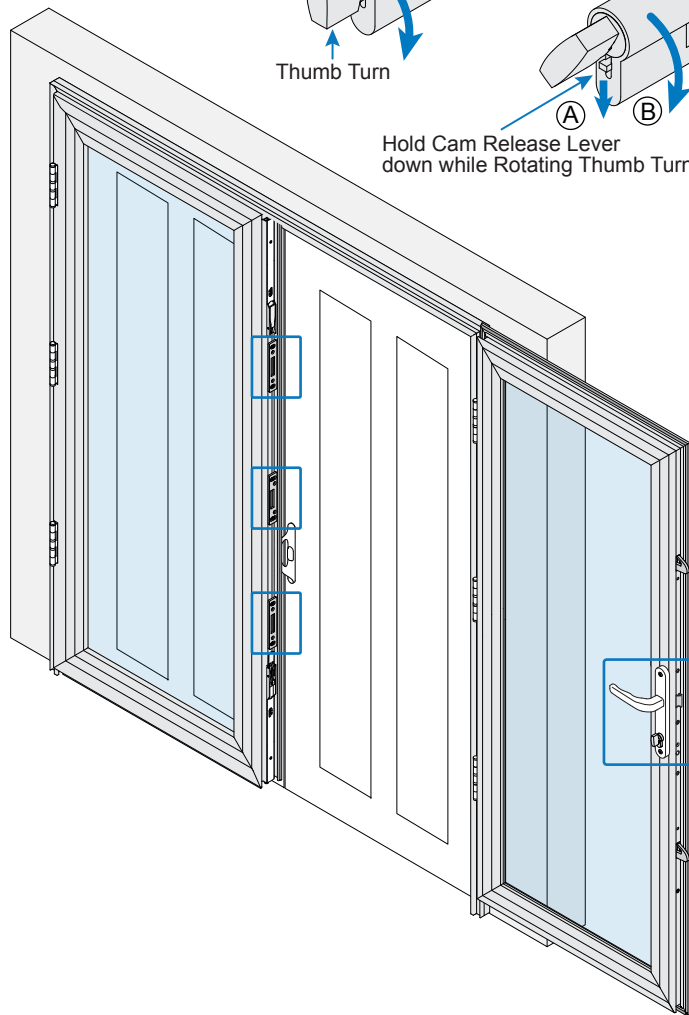
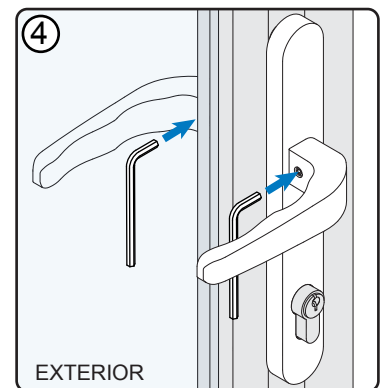
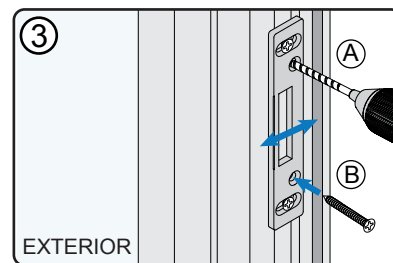
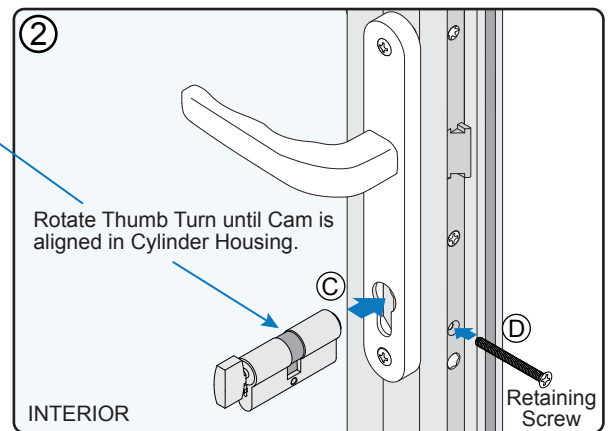
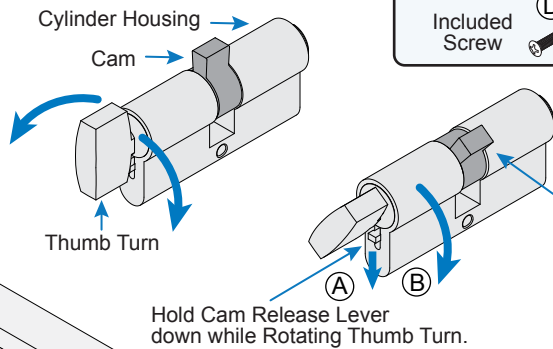
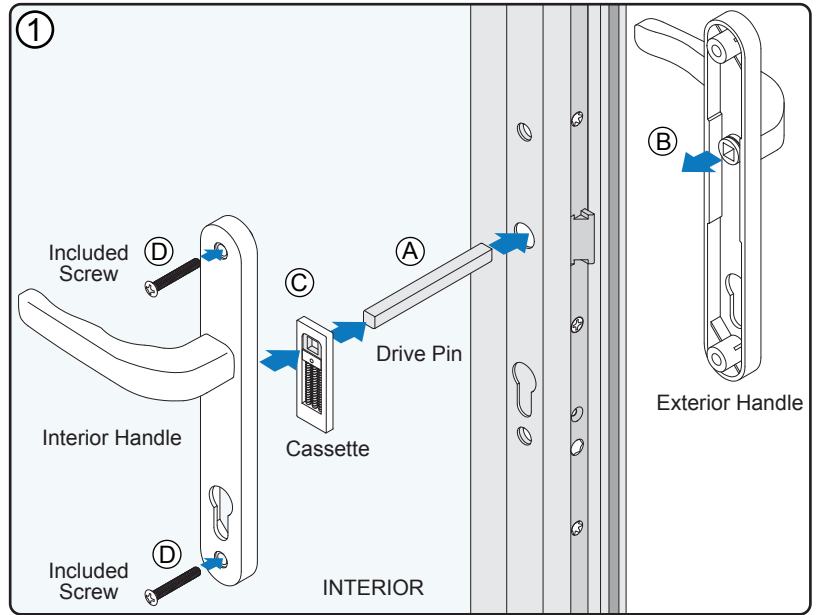
NOTE: Interior Handle has mounting holes.

- 2 Install Cylinder Housing and secure with Retaining Screw. NOTE: Rotate Thumb Turn or use key to lock and unlock door.

- 3 Check bolt operation. Adjust top, bottom and center Strike Plates. Install two included screws on each plate.

NOTE: Center Strike Plate shown. Others similar.

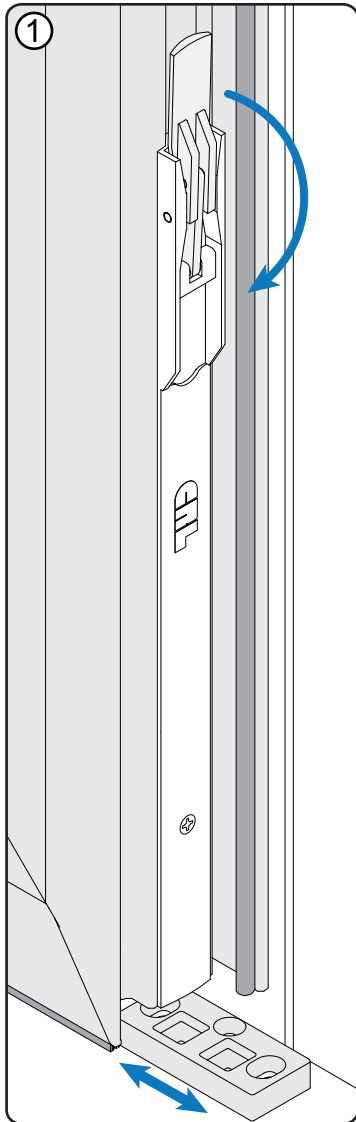
- 4 When adjustments are completed, tighten Set Screws on inside of Interior and Exterior Handles with included Allen Key.



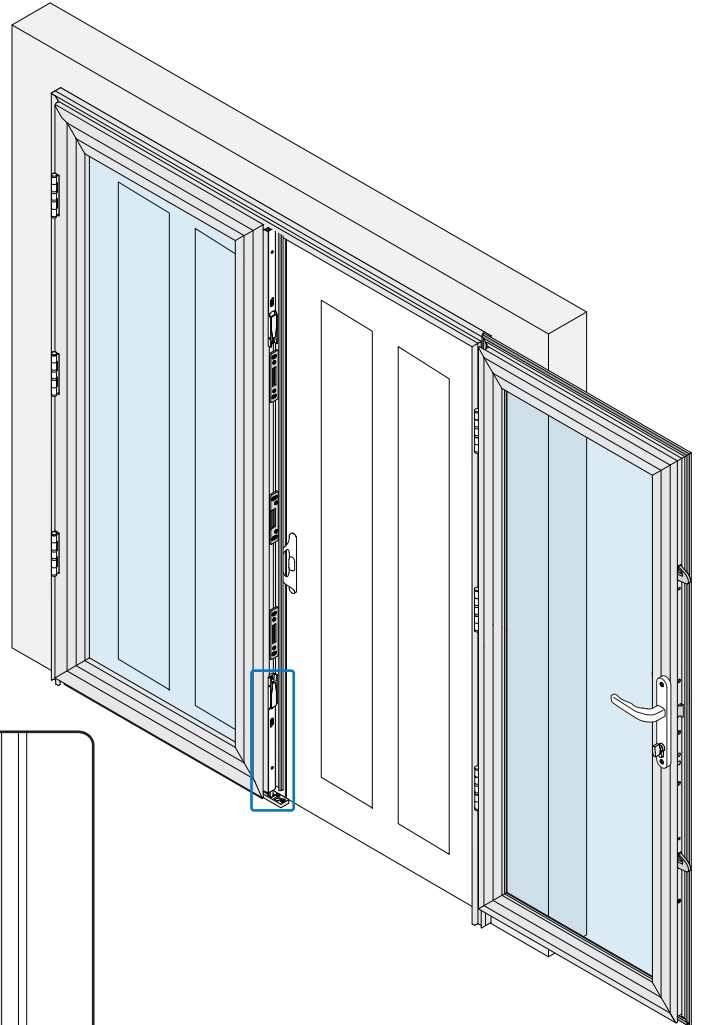
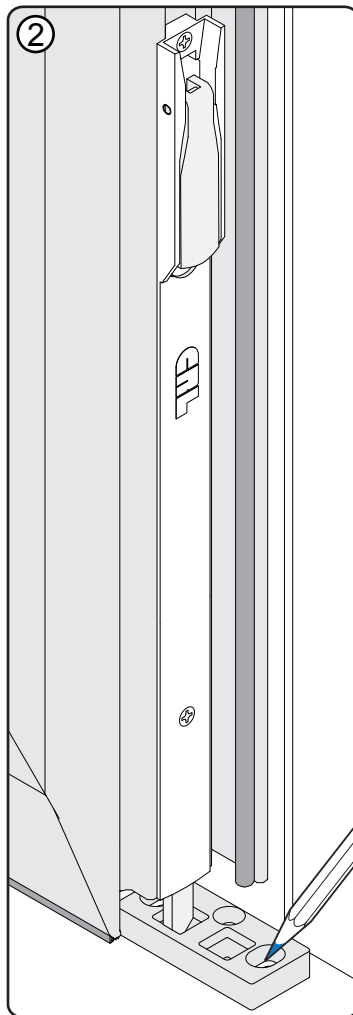
# BOTTOM PLATE INSTALLATION FOR 3 SIDED FRAMES

NOTE: Top Plate is factory installed in 3 Sided Premium French Frames. Top and Bottom Plates are factory installed in 4 Sided Premium French Frames.

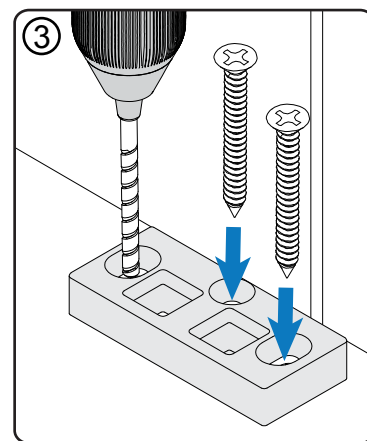
- ① Position Bottom Plate under Inactive Door. Use lever to move pin into locked position.



- ② Mark Bottom Plate screw placement.



- ③ Use #8 Flat Head Screw appropriate for substrate to secure Bottom Plate.



# TRIM INSTALLATION

① Double check door and hardware operation.

② Tap Vertical Face Cap with rubber mallet and wood block to install. Begin at top corners and work down length.

③ Repeat with Horizontal Face Cap.

